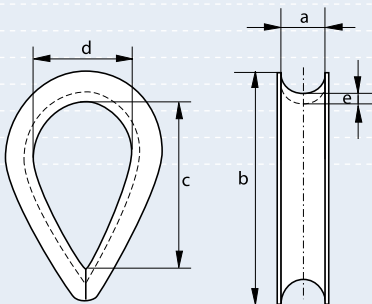


Thimbles

standard commercial

- **Material** : mild steel
- **Finish** : electro-galvanised
- **Certification** : a works certificate can be supplied upon request

diameter rope	width groove	length	width	length inside	width inside	weight per 100 pcs
mm	a mm	b mm	c mm	d mm	e mm	kg
4	4	25	19	16	11	0.4
5	5	31	22	22	16	0.8
6	6	37	29	26	19	1.4
7	7	44	32	32	22	2
8	8	51	38	34	24	2.8
9	9	57	42	38	29	3
10	10	64	44	42	32	4.8
11	11	70	51	48	35	7.5
12	12	76	57	51	38	8
14	14	82	60	57	40	10
16	16	89	64	60	42	15
18	18	102	69	67	45	22
20	20	115	79	76	51	25
22	22	127	89	83	54	32
24	24	140	102	88	64	46
26	26	152	105	102	68	66
28	28	165	115	110	73	77
30	30	178	121	115	79	80
32	32	203	133	140	93	130



Thimbles

heavy duty stub-end

- **Material** : mild steel
- **Finish** : electro-galvanised
- **Certification** : a works certificate can be supplied upon request

diameter rope	width groove	length	length inside	width inside	thickness back	weight per 100 pcs
mm	a mm	b mm	c mm	d mm	e mm	kg
8	8	51	35	22	4	6
10	10	64	47	30	4	7
12	12	76	57	35	5	14
14	14	89	65	45	6	22
16	16	102	76	50	6	24
18	18	114	86	53	8	43
20	20	127	94	60	9	65
22	22	140	107	65	10	93
24	24	152	114	70	10	102
28	28	178	130	80	10.5	135
32	32	203	157	100	10.5	162
36	36	229	177	115	12	363
40	40	254	198	120	12	376
44	44	279	214	130	15	608
50	50	305	215	140	20	960