

Thimbles

British standard

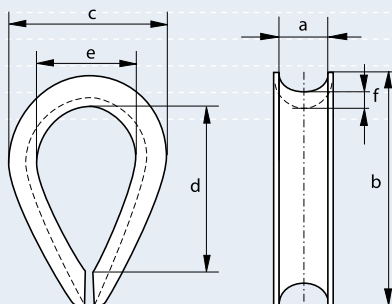
- **Material** : mild steel
- **Standard** : generally to B.S. 464 - Table 1 - 1958
- **Finish** : hot dipped galvanised
- **Certification** : a works certificate can be supplied upon request
- **Special Note** : these thimbles meet the performance requirements of BS EN 13411

diameter rope	width groove	length	length inside	width inside	thickness back	weight per 100 pcs
inch	a mm	b mm	c mm	d mm	e mm	kg
1/4	6	48	30	20	3.5	5.4
5/16	8	54	33	22	4	5.7
3/8	10	64	38	25	4.8	7.6
7/16	13	73	41	29	4.8	14.2
1/2	14	80	44	32	5.6	18
9/16	15	80	44	32	5.6	18.9
5/8	17	98	59	41	7.9	34
11/16	19	108	67	44	7.9	39.7
3/4	20	124	73	51	9.5	62.4
7/8	23	133	83	57	9.5	75.6
15/16	25	146	92	64	10.3	106
1	27	162	108	70	10.3	125
1 1/8	29	178	111	76	12.7	151
1 1/4	33	197	133	95	12.7	204
1 3/8	38	229	152	105	15.9	318
1 1/2	41	254	165	114	17.5	488
1 5/8	46	254	165	114	17.5	499
1 3/4	51	286	178	127	25.4	556
1 7/8	60	318	191	133	28.6	740
2	64	330	203	140	28.6	799

Thimbles

US Fed. Spec.

- **Material** : mild steel
- **Standard** : generally to US Federal Specification FF-T-276b type III
- **Finish** : hot dipped galvanised
- **Certification** : a works certificate can be supplied upon request



diameter rope	length	width	length inside	width inside	thickness back	weight per 100 pcs
a inch	b inch	c inch	d inch	e inch	f inch	kg
1/4	2 3/16	1 1/2	1 5/8	7/8	1/16	3.4
5/16	2 1/2	1 13/16	1 7/8	1 1/16	5/64	6.3
3/8	2 7/8	2 1/8	2 1/8	1 1/8	3/32	9.4
7/16	3 1/4	2 3/8	2 3/8	1 1/4	1/8	16.2
1/2	3 5/8	2 3/4	2 3/4	1 1/2	9/64	23
9/16	3 5/8	2 11/16	2 3/4	1 1/2	9/64	23
5/8	4 1/4	3 1/8	3 1/4	1 3/4	5/32	33.8
3/4	5	3 13/16	3 3/4	2	7/32	66.2
7/8	5 1/2	4 1/4	4 1/4	2 1/4	7/32	83.3
1	6 1/8	4 15/16	4 1/2	2 1/2	1/4	135
1 1/8 - 1 1/4	7	5 7/8	5 1/8	2 7/8	1/4	185
1 1/4 - 1 3/8	8 1/16	6 13/16	6 1/4	3 1/2	1/2	375
1 3/8 - 1 1/2	9	7 1/8	6 1/2	3 1/2	1/2	540
1 5/8	11 1/4	8 1/8	8	4	1/2	731
1 3/4	12 3/16	8 1/2	9	4 1/2	1/2	810
1 7/8 - 2	15 1/8	10 3/8	12	6	1/2	1170