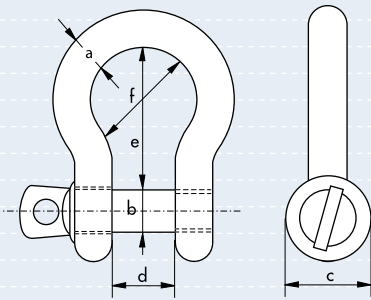


## Stainless Steel Shackles

### bow type with screw collar pin

- **Material** : stainless steel AISI 316
- **Finish** : polished
- **Note** : the working load limit shown below is for guidance only, the product is not suitable for lifting applications



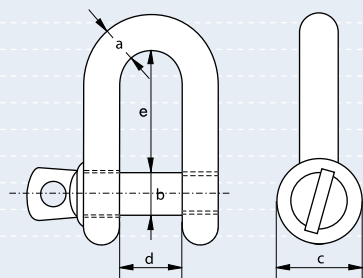
working load limit	diameter bow	diameter pin	diameter eye	width inside	length inside	width bow	weight per 100 pcs
kg	a mm	b mm	c mm	d mm	e mm	f mm	kg
-	4	4	8	8	16	14	1.2
50	5	5	10	10	20	17	1.8
100	6	6	12	12	24	21	2.8
150	8	8	16	16	32	28	6.4
250	10	10	20	20	40	34	15.0
500	12	12	24	24	48	42	22.0
750	16	16	32	32	64	56	55.0
1000	19	19	38	38	76	66	97.0
1500	22	22	44	44	88	77	146.0
2000	25	25	50	50	100	87	211.0
2500	28	28	56	56	112	98	285.0
3000	32	32	64	64	128	112	326.0



## Stainless Steel Shackles

### dee type with screw collar pin

- **Material** : stainless steel AISI 316
- **Finish** : polished
- **Note** : the working load limit shown below is for guidance only, the product is not suitable for lifting applications



working load limit	diameter bow	diameter pin	diameter eye	width inside	length inside	weight per 100 pcs
kg	a mm	b mm	c mm	d mm	e mm	kg
-	4	4	8	8	16	1.1
50	5	5	10	10	20	1.6
100	6	6	12	12	24	2.4
150	8	8	16	16	32	5.6
250	10	10	20	20	40	13.0
500	12	12	24	24	48	20.0
750	16	16	32	32	64	48.0
1000	19	19	38	38	76	84.0
1500	22	22	44	44	88	127.0
2000	25	25	50	50	100	184.0
2500	28	28	56	56	112	250.0
3000	32	32	64	64	128	372.0