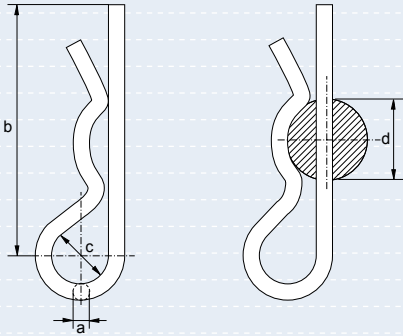
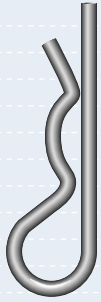


Spring Pins

single type

- **Material** : mild steel
- **Finish** : electro-galvanised

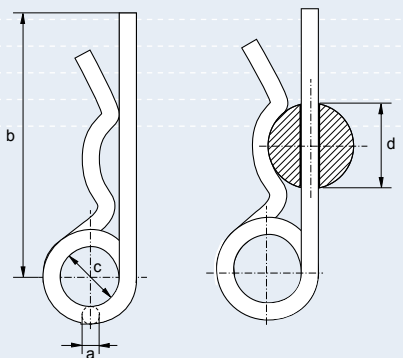
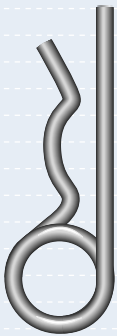


diameter	length	diameter	diameter	weight per 100 pcs
a mm	b mm	c mm	d mm	kg
2	50	10	9 - 14	0.3
3	60	18	10 - 16	0.9
4	60	20	16 - 20	1.6
5	85	24	20 - 28	3.3
6	105	30	28 - 40	6.2
7	105	30	28 - 45	8.3
8	110	28	30 - 45	10.5

Spring Pins

double type

- **Material** : mild steel
- **Finish** : electro-galvanised



diameter	length	diameter	diameter	weight per 100 pcs
a mm	b mm	c mm	d mm	kg
2	50	10	8 - 14	0.4
3	62	16	14 - 20	1.4
4	78	23	17 - 24	3.0
5	92	26	18 - 30	5.3
6	120	30	24 - 36	9.6
7	130	30	24 - 40	13.5
8	130	30	24 - 45	17.8