

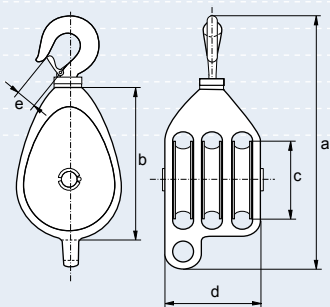
Galvanised Malleable Iron Blocks

with eye, three sheaves, for use with fibre rope

- **Material** : Body, galvanised malleable iron
: Sheaves, grey iron plain bore
- **Safety factor** : MBL equals 5 x WLL
- **Finish** : hot dipped galvanised
- **Certification** : blocks have been individually proof load tested
test certificates can be supplied upon request
- **Note** : Working Load Limit is on the headfitting

working load limit	diameter rope	length	length	diameter	thickness	width inside	length inside	weight each
tonnes	mm	a mm	b mm	c mm	d mm	e mm	f mm	kg
1	16	229	102	60	81	19	35	2.6
1.5	18	292	127	83	98	25	51	5.0

- **Special Note** : also available steel sheaves with oil retaining sintered bronze bush or ball bearing for use with wire rope



Galvanised Malleable Iron Blocks

with hook & safety catch, three sheaves, for use with fibre rope

- **Material** : Body, galvanised malleable iron
: Sheaves, grey iron plain bore
- **Safety factor** : MBL equals 5 x WLL
- **Finish** : hot dipped galvanised
- **Certification** : blocks have been individually proof load tested
test certificates can be supplied upon request
- **Note** : Working Load Limit is on the headfitting

working load limit	diameter rope	length	length	diameter	thickness	width inside	weight each
tonnes	mm	a mm	b mm	c mm	d mm	e mm	kg
1	16	248	102	60	81	27	2.6
1.5	18	305	127	83	98	29	5.0

- **Special Note** : also available steel sheaves with oil retaining sintered bronze bush or ball bearing for use with wire rope