

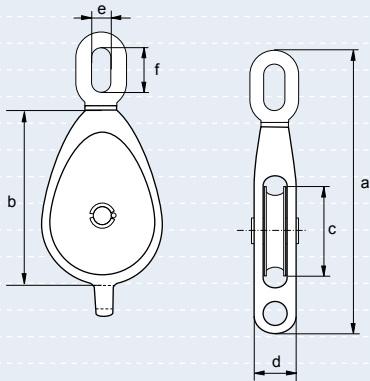
Galvanised Malleable Iron Blocks

with eye, one sheave, for use with fibre rope



- **Material** : Body, galvanised malleable iron
: Sheaves, grey iron plain bore
- **Safety factor** : MBL equals 5 x WLL
- **Finish** : hot dipped galvanised
- **Certification** : blocks have been individually proof load tested
test certificates can be supplied upon request
- **Note** : the Working Load Limit shown is double on the headfitting for single blocks only

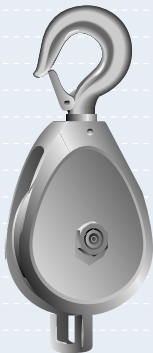
working load limit	diameter rope	length	length	diameter	thickness	width inside	length inside	weight each
tonnes	mm	a mm	b mm	c mm	d mm	e mm	f mm	kg
0.2	12	165	76	45	29	16	25	0.9
0.4	16	229	102	60	32	19	35	1.5
0.5	18	286	127	83	38	25	51	2.2
1	24	343	152	92	51	32	56	4.0



- **Special Note** : also available steel sheaves with oil retaining sintered bronze bush or ball bearing for use with wire rope

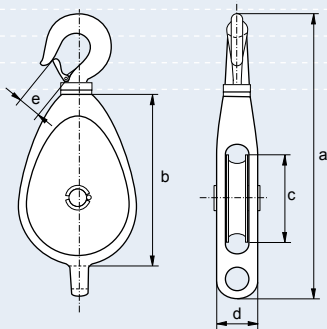
Galvanised Malleable Iron Blocks

with hook & safety catch, one sheave, for use with fibre rope



- **Material** : Body, galvanised malleable iron
: Sheaves, grey iron plain bore
- **Safety factor** : MBL equals 5 x WLL
- **Finish** : hot dipped galvanised
- **Certification** : blocks have been individually proof load tested
test certificates can be supplied upon request
- **Note** : the Working Load Limit shown is double on the headfitting for single blocks only

working load limit	diameter rope	length	length	diameter	thickness	width inside	weight each
tonnes	mm	a mm	b mm	c mm	d mm	e mm	kg
0.2	12	194	76	45	29	16	0.9
0.4	16	248	102	60	32	27	1.5
0.5	18	305	127	83	38	32	2.2
1	24	356	152	92	51	32	4.0



- **Special Note** : also available steel sheaves with oil retaining sintered bronze bush or ball bearing for use with wire rope