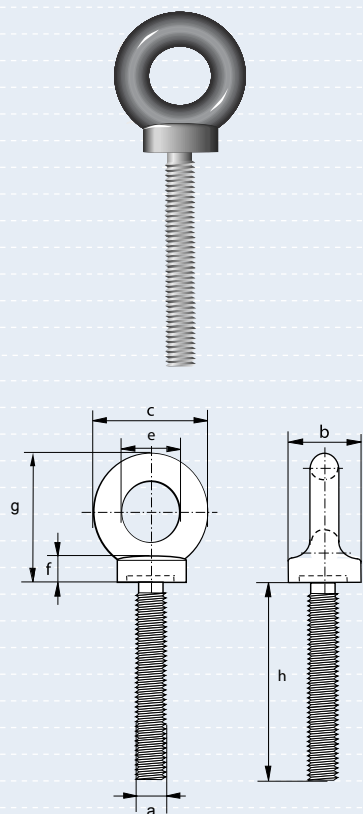


Long Shank Collared Eyebolts

metric coarse thread

- **Material** : high tensile steel
- **Safety Factor** : MBL equals 5 x SWL
- **Finish** : self colour
: electro-galvanised available upon request
- **Certificates** : this product is supplied with a works certificate as standard
- **Note** : upon request a basic raw material and/or EC Declaration of Conformity is available

safe working load	diameter thread	diameter base	diameter eye outside	diameter eye inside	thickness collar	height	thread length	weight each
tonnes	a mm	b mm	c mm	e mm	f mm	g mm	h mm	kg
0.25	10	22	33	15	7	36	178	0.18
0.40	12	28	41	19	11	45	178	0.25
0.50	14	36	52	24	14	58	178	0.40
0.80	16	36	52	24	14	58	178	0.44
1.00	18	43	62	29	17	69	178	0.70
1.60	20	43	62	29	17	69	178	0.70
1.60	22	50	73	33	17	74	178	1.05
2.50	24	57	82	38	19	87	178	1.50
4.00	30	71	104	48	24	116	178	2.80



Long Shank Collared Eyebolts

BSW thread

- **Material** : high tensile steel
- **Safety Factor** : MBL equals 5 x SWL
- **Finish** : self colour
: electro-galvanised available upon request
- **Certificates** : this product is supplied with a works certificate as standard
- **Note** : upon request a basic raw material and/or EC Declaration of Conformity is available
Also available with UNC threads

safe working load	diameter thread	diameter base	diameter eye outside	diameter eye inside	thickness collar	height	thread length	weight each
tons	a inch	b inch	c inch	e inch	f inch	g inch	h inch	kg
0.25	3/8	27/32	1 5/16	9/16	9/32	1 3/8	7	0.18
0.50	1/2	1 1/8	1 5/8	3/4	3/8	1 3/4	7	0.25
0.90	5/8	1 13/32	2	15/16	15/32	2 1/4	7	0.44
1.40	3/4	1 11/16	2 7/16	1 1/8	9/16	2 3/4	7	0.70
2.00	7/8	1 31/32	2 13/16	1 5/16	21/32	2 7/8	7	1.05
2.75	1	2 1/4	3 1/4	1 1/2	3/4	3 7/16	7	1.50
3.50	1 1/8	2 13/16	4 1/8	1 7/8	15/16	4 1/2	7	2.80
4.50	1 1/4	2 13/16	4 1/8	1 7/8	15/16	4 1/2	7	2.90

