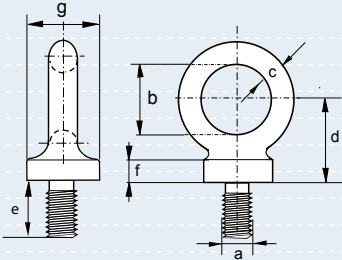
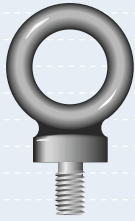


Dynamo Eyebolts

BSW thread

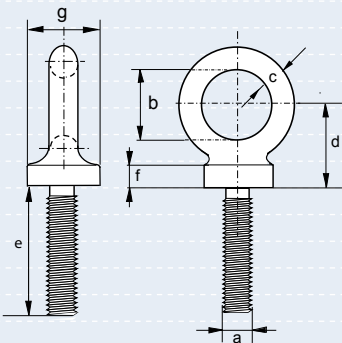
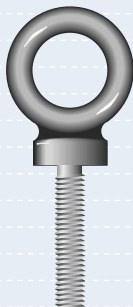
- **Material** : BS970-080A27 normalised
- **Safety Factor** : MBL equals 5 x SWL
- **Finish** : self colour, electro galvanised upon request
- **Certificates** : this product is supplied with a works certificate as standard
- **Note** : upon request a basic raw material and/or EC Declaration of Conformity is available
- **Special Note** : these eyebolts are for vertical lift only



safe working load	diameter thread	diameter eye inside	diameter eye	length base to centre	thread length	base height	diameter base	weight each
tonnes	a inch	b inch	c inch	d inch	e inch	f inch	g inch	kg
0.10	1/4	7/8	3/8	1 1/16	3/4	1/4	3/4	0.08
0.15	5/16	7/8	3/8	1 1/16	3/4	1/4	3/4	0.09
0.25	3/8	7/8	3/8	1 1/16	3/4	1/4	3/4	0.09
0.50	1/2	1 1/16	7/16	1 3/8	1	5/16	1	0.14
0.80	5/8	1 1/4	1/2	1 5/8	1 1/8	3/8	1 1/8	0.24
1.20	3/4	1 9/16	11/16	2 1/8	1 1/4	1/2	1 7/16	0.43
1.60	7/8	1 3/4	11/16	2 5/16	1 3/8	9/16	1 3/8	0.61
2.20	1	2	13/16	2 7/16	1 13/16	1/2	1 5/8	0.88
2.65	1 1/8	2 3/8	1	2 7/8	2 1/16	3/4	2 1/8	1.63
3.50	1 1/4	2 3/8	1	2 7/8	2 1/16	3/4	2 1/8	1.70

Long Shank Dynamo Eyebolts

- **Material** : high tensile steel
- **Safety Factor** : MBL equals 5 x SWL
- **Finish** : self colour
: electro galvanised (zinc plated) available upon request
- **Certificates** : this product is supplied with a works certificate as standard
- **Special Note** : these eyebolts are for vertical lift only



BSW thread

safe working load	diameter thread	diameter eye inside	diameter eye	length base to centre	thread length	base height	diameter base	weight each
tonnes	a inch	b inch	c inch	d inch	e inch	f inch	g inch	kg
0.25	3/8	7/8	3/8	1 1/16	3/4	1/4	3/4	0.09
0.50	1/2	1 1/16	7/16	1 3/8	1	5/16	1	0.14
0.80	5/8	1 1/4	1/2	1 5/8	1 1/8	3/8	1 1/8	0.24
1.20	3/4	1 9/16	11/16	2 1/8	1 1/4	1/2	1 7/16	0.43
2.20	1	2	13/16	2 7/16	1 13/16	1/2	1 5/8	0.88

Metric coarse thread

safe working load	diameter thread	diameter eye inside	diameter eye	length base to centre	thread length	base height	diameter base	weight each
tonnes	a mm	b mm	c mm	d mm	e mm	f mm	g mm	kg
0.15	8	22	9.5	27	100	6	19	0.11
0.25	10	22	9.5	27	100	6	19	0.12
0.32	12	29	11	35	100	8	25	0.17
0.63	16	32	13	41	114	9.5	29	0.35
1.25	20	41	16	54	127	11	35	0.60
2.00	24	51	19	64	127	13	41	1.10